



GBH Professional **HEAVY DUTY**

2-26 | 2-26 RE | 2-26 DRE | 2-26 DFR



Robert Bosch Power Tools GmbH
70538 Stuttgart
GERMANY

www.bosch-pt.com

1 609 92A 7W2 (2022.08) PS / 22



1 609 92A 7W2

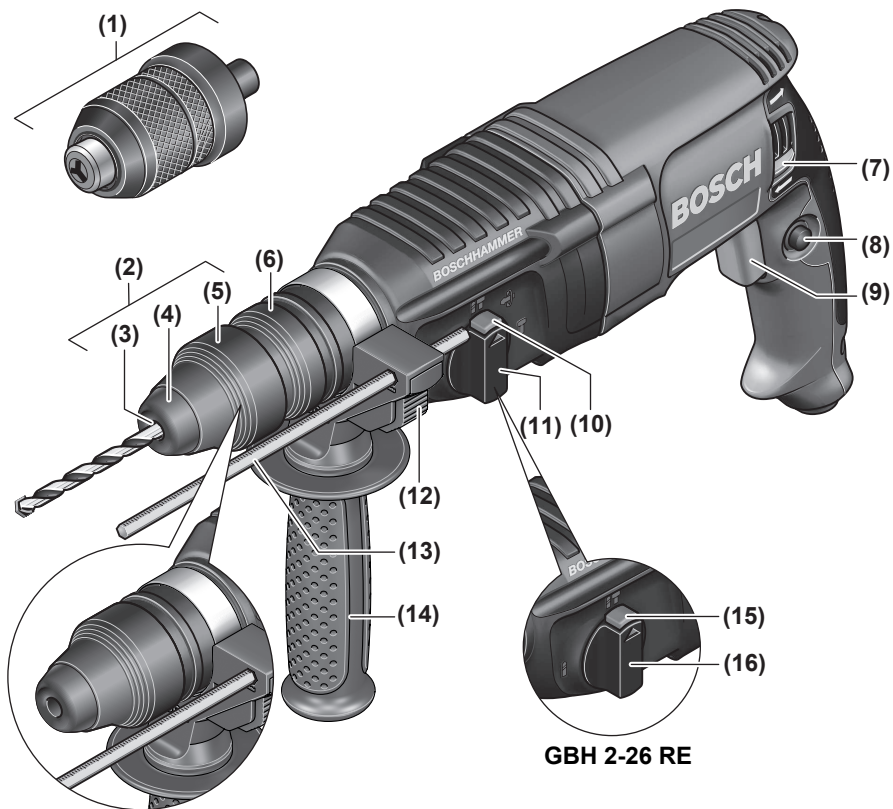
en Original instructions
ko 사용 설명서 원본



English Page 7
한국어 페이지 13

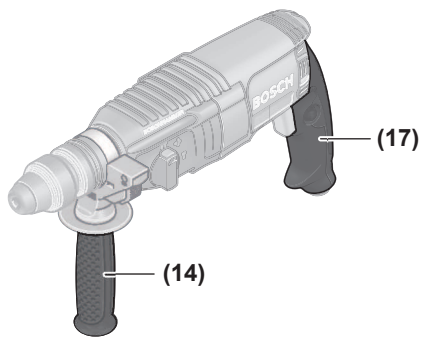


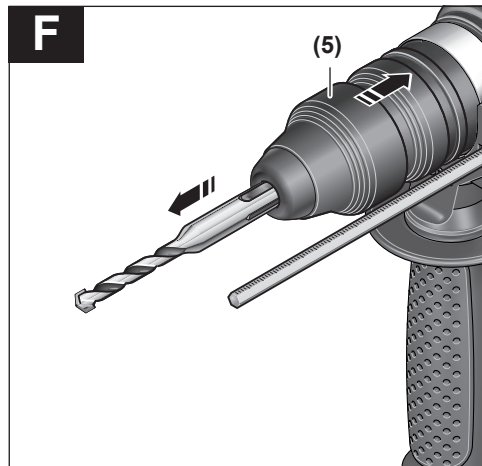
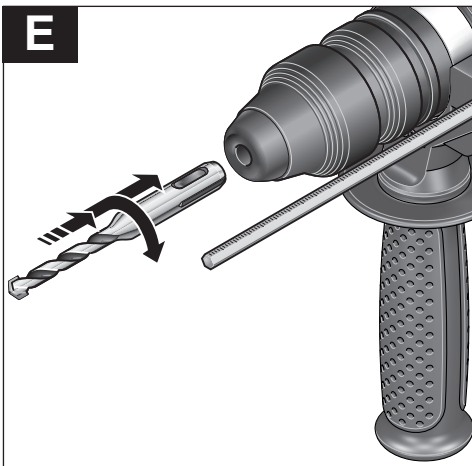
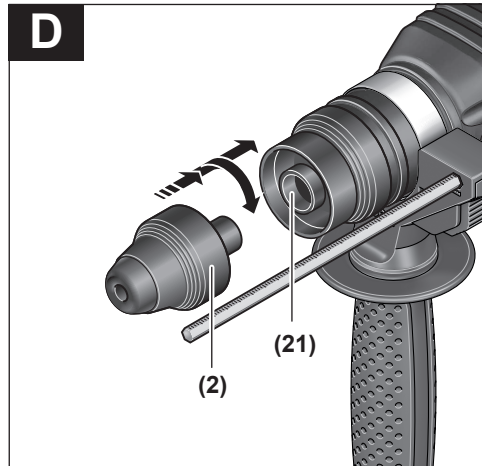
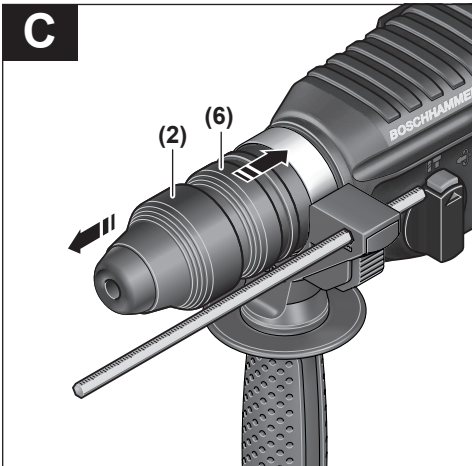
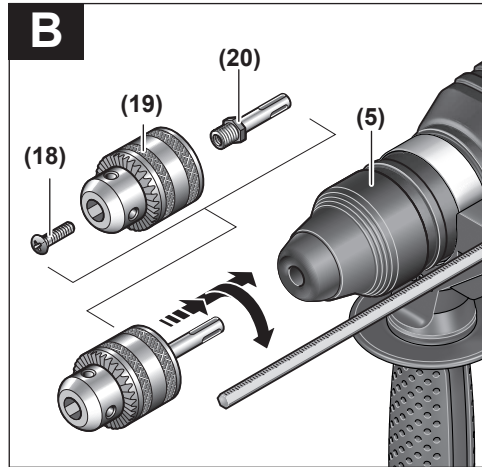
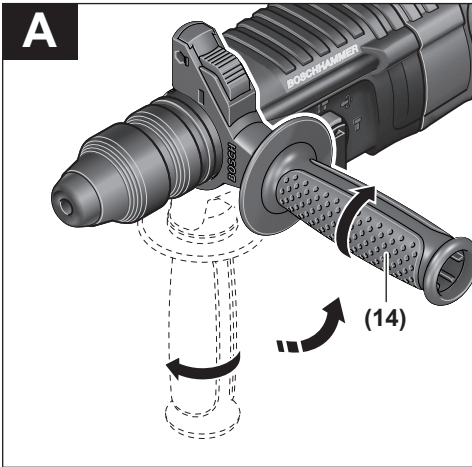
GBH 2-26 DFR

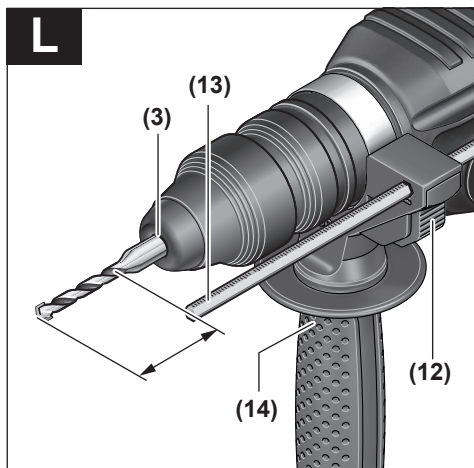
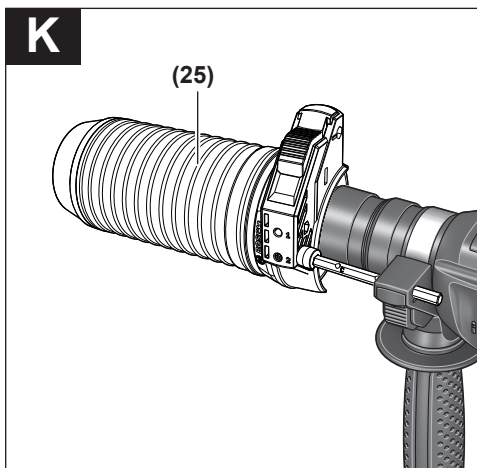
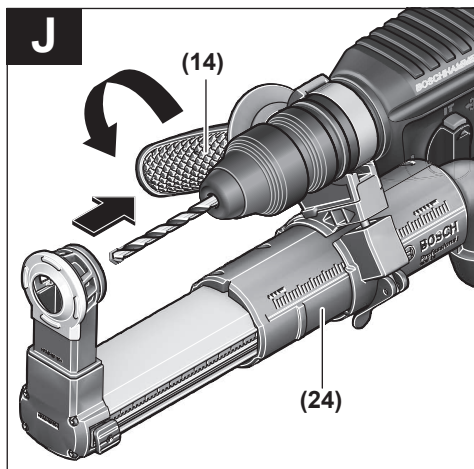
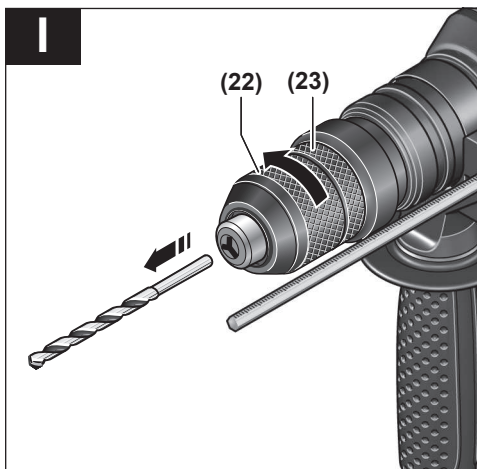
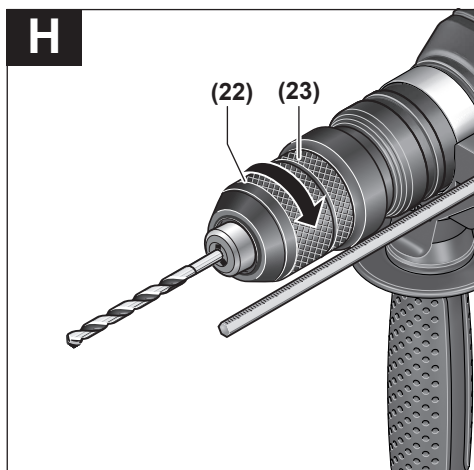
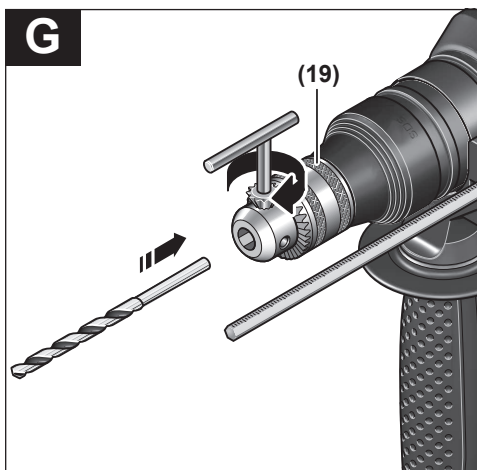


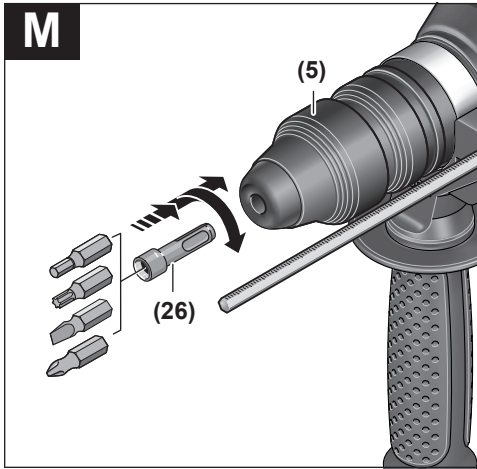
GBH 2-26
GBH 2-26 RE
GBH 2-26 DRE

GBH 2-26 RE









English

Safety instructions

General Power Tool Safety Warnings

⚠ WARNING Read all safety warnings, instructions, illustrations and specifications provided with this power tool. Failure to follow all instructions listed below may result in electric shock, fire and/or serious injury.

Save all warnings and instructions for future reference.

The term "power tool" in the warnings refers to your mains-operated (corded) power tool or battery-operated (cordless) power tool.

Work area safety

- ▶ **Keep work area clean and well lit.** Cluttered or dark areas invite accidents.
- ▶ **Do not operate power tools in explosive atmospheres, such as in the presence of flammable liquids, gases or dust.** Power tools create sparks which may ignite the dust or fumes.
- ▶ **Keep children and bystanders away while operating a power tool.** Distractions can cause you to lose control.

Electrical safety

- ▶ **Power tool plugs must match the outlet. Never modify the plug in any way. Do not use any adapter plugs with earthed (grounded) power tools.** Unmodified plugs and matching outlets will reduce risk of electric shock.
- ▶ **Avoid body contact with earthed or grounded surfaces, such as pipes, radiators, ranges and refrigerators.** There is an increased risk of electric shock if your body is earthed or grounded.
- ▶ **Do not expose power tools to rain or wet conditions.** Water entering a power tool will increase the risk of electric shock.
- ▶ **Do not abuse the cord. Never use the cord for carrying, pulling or unplugging the power tool. Keep cord away from heat, oil, sharp edges or moving parts.** Damaged or entangled cords increase the risk of electric shock.
- ▶ **When operating a power tool outdoors, use an extension cord suitable for outdoor use.** Use of a cord suitable for outdoor use reduces the risk of electric shock.
- ▶ **If operating a power tool in a damp location is unavoidable, use a residual current device (RCD) protected supply.** Use of an RCD reduces the risk of electric shock.

Personal safety

- ▶ **Stay alert, watch what you are doing and use common sense when operating a power tool. Do not use a power tool while you are tired or under the influence of drugs, alcohol or medication.** A moment of inatten-

tion while operating power tools may result in serious personal injury.

- ▶ **Use personal protective equipment. Always wear eye protection.** Protective equipment such as a dust mask, non-skid safety shoes, hard hat or hearing protection used for appropriate conditions will reduce personal injuries.
- ▶ **Prevent unintentional starting. Ensure the switch is in the off-position before connecting to power source and/or battery pack, picking up or carrying the tool.** Carrying power tools with your finger on the switch or energising power tools that have the switch on invites accidents.
- ▶ **Remove any adjusting key or wrench before turning the power tool on.** A wrench or a key left attached to a rotating part of the power tool may result in personal injury.
- ▶ **Do not overreach. Keep proper footing and balance at all times.** This enables better control of the power tool in unexpected situations.
- ▶ **Dress properly. Do not wear loose clothing or jewellery. Keep your hair and clothing away from moving parts.** Loose clothes, jewellery or long hair can be caught in moving parts.
- ▶ **If devices are provided for the connection of dust extraction and collection facilities, ensure these are connected and properly used.** Use of dust collection can reduce dust-related hazards.
- ▶ **Do not let familiarity gained from frequent use of tools allow you to become complacent and ignore tool safety principles.** A careless action can cause severe injury within a fraction of a second.

Power tool use and care

- ▶ **Do not force the power tool. Use the correct power tool for your application.** The correct power tool will do the job better and safer at the rate for which it was designed.
- ▶ **Do not use the power tool if the switch does not turn it on and off.** Any power tool that cannot be controlled with the switch is dangerous and must be repaired.
- ▶ **Disconnect the plug from the power source and/or remove the battery pack, if detachable, from the power tool before making any adjustments, changing accessories, or storing power tools.** Such preventive safety measures reduce the risk of starting the power tool accidentally.
- ▶ **Store idle power tools out of the reach of children and do not allow persons unfamiliar with the power tool or these instructions to operate the power tool.** Power tools are dangerous in the hands of untrained users.
- ▶ **Maintain power tools and accessories. Check for misalignment or binding of moving parts, breakage of parts and any other condition that may affect the power tool's operation. If damaged, have the power tool repaired before use.** Many accidents are caused by poorly maintained power tools.

- ▶ **Keep cutting tools sharp and clean.** Properly maintained cutting tools with sharp cutting edges are less likely to bind and are easier to control.
- ▶ **Use the power tool, accessories and tool bits etc. in accordance with these instructions, taking into account the working conditions and the work to be performed.** Use of the power tool for operations different from those intended could result in a hazardous situation.
- ▶ **Keep handles and grasping surfaces dry, clean and free from oil and grease.** Slippery handles and grasping surfaces do not allow for safe handling and control of the tool in unexpected situations.

Service

- ▶ **Have your power tool serviced by a qualified repair person using only identical replacement parts.** This will ensure that the safety of the power tool is maintained.

Hammer Safety Warnings

Safety instructions for all operations

- ▶ **Wear ear protectors.** Exposure to noise can cause hearing loss.
- ▶ **Use auxiliary handle(s), if supplied with the tool.** Loss of control can cause personal injury.
- ▶ **Hold the power tool by insulated gripping surfaces, when performing an operation where the cutting accessory or fasteners may contact hidden wiring or its own cord.** Cutting accessory or fasteners contacting a "live" wire may make exposed metal parts of the power tool "live" and could give the operator an electric shock.

Safety instructions when using long drill bits with rotary hammers

- ▶ **Always start drilling at low speed and with the bit tip in contact with the workpiece.** At higher speeds, the bit is likely to bend if allowed to rotate freely without contacting the workpiece, resulting in personal injury.
- ▶ **Apply pressure only in direct line with the bit and do not apply excessive pressure.** Bits can bend, causing breakage or loss of control, resulting in personal injury.

Additional safety information

- ▶ **Use suitable detectors to determine if utility lines are hidden in the work area or call the local utility company for assistance.** Contact with electric lines can lead to fire and electric shock. Damaging a gas line can lead to explosion. Penetrating a water line causes property damage or may cause an electric shock.
- ▶ **Always wait until the power tool has come to a complete stop before placing it down.** The application tool can jam and cause you to lose control of the power tool.
- ▶ **Secure the workpiece.** A workpiece clamped with clamping devices or in a vice is held more secure than by hand.

Products sold in GB only:

Your product is fitted with an BS 1363/A approved electric plug with internal fuse (ASTA approved to BS 1362).

If the plug is not suitable for your socket outlets, it should be cut off and an appropriate plug fitted in its place by an authorised customer service agent. The replacement plug should have the same fuse rating as the original plug.

The severed plug must be disposed of to avoid a possible shock hazard and should never be inserted into a mains socket elsewhere.

- ▶ **Do not touch any application tools or adjacent housing components shortly after operation.** These can become very hot during operation and cause burns.
- ▶ **The application tool may jam during drilling. Make sure you have a stable footing and hold the power tool firmly with both hands.** Otherwise you could lose control of the power tool.
- ▶ **Take care when carrying out demolition work using the chisel.** Falling fragments of the demolition material could injure you or any bystanders.

Additional safety information

- ▶ **Use suitable detectors to determine if utility lines are hidden in the work area or call the local utility company for assistance.** Contact with electric lines can lead to fire and electric shock. Damaging a gas line can lead to explosion. Penetrating a water line causes property damage or may cause an electric shock.
- ▶ **Always wait until the power tool has come to a complete stop before placing it down.** The application tool can jam and cause you to lose control of the power tool.
- ▶ **Secure the workpiece.** A workpiece clamped with clamping devices or in a vice is held more secure than by hand.

Products sold in GB only:

Your product is fitted with an BS 1363/A approved electric plug with internal fuse (ASTA approved to BS 1362).

If the plug is not suitable for your socket outlets, it should be cut off and an appropriate plug fitted in its place by an authorised customer service agent. The replacement plug should have the same fuse rating as the original plug.

The severed plug must be disposed of to avoid a possible shock hazard and should never be inserted into a mains socket elsewhere.

- ▶ **Do not touch any application tools or adjacent housing components shortly after operation.** These can become very hot during operation and cause burns.
- ▶ **The application tool may jam during drilling. Make sure you have a stable footing and hold the power tool firmly with both hands.** Otherwise you could lose control of the power tool.
- ▶ **Take care when carrying out demolition work using the chisel.** Falling fragments of the demolition material could injure you or any bystanders.
- ▶ **Hold the power tool firmly with both hands and make sure you have a stable footing.** The power tool can be more securely guided with both hands.

Product Description and Specifications



Read all the safety and general instructions.

Failure to observe the safety and general instructions may result in electric shock, fire and/or serious injury.

Please observe the illustrations at the beginning of this operating manual.

Intended Use

GBH 2-26, GBH 2-26 DRE, GBH 2-26 DFR:

The power tool is intended for hammer drilling in concrete, brick and stone, as well as for light chiselling work. It is also suitable for drilling without impact in wood, metal, ceramic and plastic. Power tools with electronic control and right/left rotation are also suitable for screwdriving.

GBH 2-26 RE:

The power tool is intended for hammer drilling in concrete, brick and stone. It is also suitable for drilling without impact in wood, metal, ceramic and plastic. Power tools with electronic control and right/left rotation are also suitable for screwdriving.

Product Features

The numbering of the product features refers to the diagram of the power tool on the graphics page.

- (1) Keyless quick-change chuck (GBH 2-26 DFR)
- (2) SDS plus quick-change chuck (GBH 2-26 DFR)
- (3) SDS plus tool holder
- (4) Dust protection cap
- (5) Locking sleeve
- (6) Locking ring for quick-change chuck (GBH 2-26 DFR)

- (7) Rotational direction switch
- (8) Lock-on button for on/off switch
- (9) On/off switch
- (10) Release button for impact/mode selector switch (GBH 2-26, GBH 2-26 DRE, GBH 2-26 DFR)
- (11) Impact/mode selector switch (GBH 2-26, GBH 2-26 DRE, GBH 2-26 DFR)
- (12) Button for depth stop adjustment
- (13) Depth stop
- (14) Auxiliary handle (insulated gripping surface)
- (15) Release button for "drilling/hammer drilling" selector switch (GBH 2-26 RE)
- (16) "Drilling/hammer drilling" selector switch (GBH 2-26 RE)
- (17) Handle (insulated gripping surface)
- (18) Securing screw for keyed chuck^{a)}
- (19) Keyed chuck^{a)}
- (20) SDS plus shank for drill chuck^{a)}
- (21) Drill chuck holder (GBH 2-26 DFR)
- (22) Front sleeve of the keyless quick-change chuck (GBH 2-26 DFR)
- (23) Retaining ring of the keyless quick-change chuck (GBH 2-26 DFR)
- (24) Dust extraction (GDE 16 Plus)^{a)}
- (25) Dust collection cap^{a)}
- (26) Universal holder with SDS plus shank^{a)}

a) Accessories shown or described are not included with the product as standard. You can find the complete selection of accessories in our accessories range.

Technical Data

Rotary hammer		GBH 2-26	GBH 2-26 RE	GBH 2-26 DRE	GBH 2-26 DFR
Article number		3 611 BA3 0..	3 611 B51 7..	3 611 B53 7..	3 611 B54 7..
Speed control		●	●	●	●
Stop rotation		●	–	●	●
Clockwise/anticlockwise rotation		●	●	●	●
Quick-change chuck		–	–	–	●
Rated power input	W	800	800	800	800
Impact rate	min ⁻¹	0–4000	0–4000	0–4000	0–4000
Impact energy per stroke according to EPTA-Procedure 05:2016	J	2.7	2.7	2.7	2.7
Rated speed	min ⁻¹	0–1300	0–1300	0–1300	0–1300
Tool holder		SDS plus	SDS plus	SDS plus	SDS plus
Spindle collar diameter	mm	50	50	50	50

Rotary hammer		GBH 2-26	GBH 2-26 RE	GBH 2-26 DRE	GBH 2-26 DFR
Max. drilling diameter					
– Concrete	mm	26	26	26	26
– Masonry (with hollow core bit)	mm	68	68	68	68
– Steel	mm	13	13	13	13
– Wood	mm	30	30	30	30
Weight according to EPTA-Procedure 01:2014	kg	2.7	2.7	2.7	2.9
Protection class		□/II	□/II	□/II	□/II

The specifications apply to a rated voltage [U] of 230 V. These specifications may vary at different voltages and in country-specific models.

Assembly

- ▶ **Pull the plug out of the socket before carrying out any work on the power tool.**

Auxiliary handle

- ▶ **Do not operate your power tool without the auxiliary handle (14).**
- ▶ **Make sure that the auxiliary handle is always tightened.** Otherwise you could lose control of the power tool when working.

Swivelling the auxiliary handle (see figure A)

You can swivel the auxiliary handle (14) to any angle for a safe work posture that minimises fatigue.

- Turn the lower gripping end of the auxiliary handle (14) anticlockwise and swivel the auxiliary handle (14) into the required position. Then turn the lower gripping end of the auxiliary handle (14) clockwise to retighten it. Make sure that the retaining strap of the auxiliary handle slots into the corresponding groove of the housing.

Selecting drill chucks and tools

Hammer drilling and chiselling require SDS-plus application tools that are inserted into the SDS-plus drill chuck.

For drilling without impact in wood, metal, ceramic and plastic as well as for screwdriving, tools without SDS-plus are used (e.g. cylindrical shank drill bits). For these tools, a keyless chuck or a keyed chuck are required.

Changing the drill chuck

Inserting/removing the keyed chuck

GBH 2-26/GBH 2-26 RE/GBH 2-26 DRE

You must use a suitable drill chuck (keyed or keyless chuck, accessories) to work with tools that do not have SDS-plus (e.g. cylindrical shank drill bits).

Fitting the keyed chuck (see figure B)

- Screw the SDS-plus shank (20) into a keyed chuck (19). Secure the keyed chuck (19) using the securing screw (18). **Note that the securing screw has a left-hand thread.**

Inserting the keyed chuck (see figure B)

- Clean and lightly grease the insertion end of the shank.
- Insert the keyed chuck with the adapter shank into the tool holder with a turning motion until it automatically locks.
- Check that it is locked by pulling the keyed chuck.

Removing the keyed chuck

- Push the locking sleeve (5) back and remove the keyed chuck (19).

Removing/inserting the quick-change chuck

GBH 2-26 DFR

Removing the Quick-Change Chuck (see figure C)

- Pull back on the quick-change chuck locking ring (6), hold it in this position and pull the SDS plus quick-change chuck (2) or the keyless quick-change chuck (1) out from the front.
- Once the quick-change chuck is removed, protect it from dirt.

Inserting the Quick-Change Chuck (see figure D)

- Before insertion, clean the quick-change chuck and lightly grease the shank.
- Wrap your whole hand around the SDS plus quick-change chuck (2) or the keyless quick-change chuck (1). Use a turning motion to push the quick-change chuck into the drill chuck holder (21) until you hear it click into place.
- The quick-change chuck is automatically locked. Check that it is locked by pulling on the quick-change chuck.

Changing the Tool

The dust protection cap (4) largely prevents the penetration of drilling dust into the tool holder during operation. When inserting the tool, make sure that the dust protection cap (4) does not become damaged.

- ▶ **Replace a damaged dust protection cap immediately. It is recommended that you have use an after-sales service for this.**

Changing the tool (SDS plus)

Inserting SDS plus application tools (see figure E)

The SDS-plus drill chuck enables you to change the application tool easily and conveniently without needing to use additional tools.

- **GBH 2-26 DFR:** Insert the SDS plus quick-change chuck (2).
- Clean and lightly grease the shank of the application tool.
- Insert the application tool into the tool holder while turning it until it locks automatically.
- Check that it is locked by pulling on the tool.

As a requirement of the system, the SDS-plus application tool can move freely. This causes a certain radial run-out at no-load, which has no effect on the accuracy of the drill hole, as the drill bit centres itself upon drilling.

Removing SDS-plus application tools (see figure F)

- Push the locking sleeve (5) back and remove the application tool.

Changing the keyed chuck

GBH 2-26/GBH 2-26 RE/GBH 2-26 DRE

Inserting the Application Tool (see figure G)

Note: Application tools that do not have SDS plus must not be used for hammer drilling or chiselling. Tools without SDS plus and their drill chucks are damaged by hammer drilling or chiselling.

- Insert a keyed chuck (19).
- Open the keyed chuck (19) by turning it until the tool can be inserted. Insert the tool.
- Insert the chuck key into the corresponding holes of the keyed chuck (19) and clamp the tool evenly.
- **GBH 2-26 RE:** Set the selector switch (16) to the "drilling" symbol.
- **GBH 2-26, GBH 2-26 DRE:** Turn the impact/mode selector switch (11) to the "drilling" position.

Removing the application tool

- Use the chuck key to turn the sleeve of the keyed chuck (19) anticlockwise until the application tool can be removed.

Changing the keyless quick-change chuck

GBH 2-26 DFR

Inserting the application tool (see figure H)

Note: Application tools that do not have SDS plus must not be used for hammer drilling or chiselling. Tools without SDS plus and their drill chucks are damaged by hammer drilling or chiselling.

- Insert the keyless quick-change chuck (1).
- Hold the retaining ring (23) of the keyless quick-change chuck firmly in place. Open the tool holder by turning the front sleeve (22) until the tool can be inserted. Hold the retaining ring (23) in place and firmly tighten the front sleeve (22) by turning it in the direction of the arrow until you hear it click into place.
- Check that it is seated securely by pulling on the tool.

Note: If the tool holder was unscrewed all the way, a scraping sound may be heard while retightening the tool holder and it may not fully tighten.

In this case, turn the front sleeve (22) in the opposite direction to the arrow by one full turn. This will allow the tool holder to be fully tightened.

- Turn the impact/mode selector switch (11) to the "drilling" position.

Removing the application tool (see figure I)

- Hold the retaining ring (23) of the keyless quick-change chuck firmly in place. Open the tool holder by turning the front sleeve (22) in the direction of the arrow until the tool can be removed.

Dust/Chip Extraction

The dust from materials such as lead paint, some types of wood, minerals and metal can be harmful to human health. Touching or breathing in this dust can trigger allergic reactions and/or cause respiratory illnesses in the user or in people in the near vicinity.

Certain dusts, such as oak or beech dust, are classified as carcinogenic, especially in conjunction with wood treatment additives (chromate, wood preservative). Materials containing asbestos may only be machined by specialists.

- Use a dust extraction system that is suitable for the material wherever possible.
- Provide good ventilation at the workplace.
- It is advisable to wear a P2 filter class breathing mask.

The regulations on the material being machined that apply in the country of use must be observed.

- ▶ **Avoid dust accumulation at the workplace.** Dust can easily ignite.

Dust extraction with GDE 16 Plus (accessory) (see figure J)

For dust extraction, the GDE 16 Plus (accessory) is required.

The dust extractor must be suitable for the material being worked on.

When extracting dry dust or dust that is especially detrimental to health or carcinogenic, use a special dust extractor.

Dust collection cap (accessory) (see figure K)

To collect dust easily without using extraction, a dust collection cap (25) is required.

Dust Extraction with GDE 18V-26 D (accessory)

For dust extraction, the GDE 18V-26 D dust extraction attachment (accessory) is required.

Observe the information on intended use in the relevant operating manual when using the GDE 18V-26 D.

Operation

- **Products that are only sold in AUS and NZ:** Use a residual current device (RCD) with a nominal residual current of 30 mA or less.

Start-up

- **Pay attention to the mains voltage. The voltage of the power source must match the voltage specified on the rating plate of the power tool. Power tools marked with 230 V can also be operated with 220 V.**

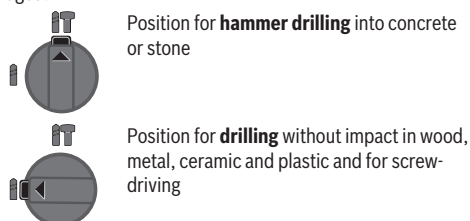
Setting the Operating Mode

GBH 2-26 RE:

Use the "drilling/hammer drilling" selector switch (16) to select the power tool's operating mode.

- To change the operating mode, press the release button (15) and turn the "drilling/hammer drilling" selector switch (16) until it clicks into the required position.

Note: Only change the operating mode when the power tool is switched off. Otherwise, the power tool may become damaged.

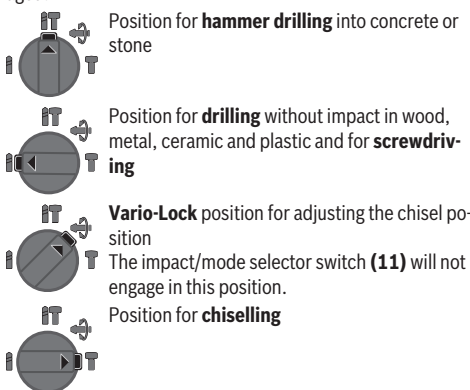


GBH 2-26, GBH 2-26 DRE, GBH 2-26 DFR:

The operating mode of the power tool is selected using the impact/mode selector switch (11).

- To change the operating mode, press the release button (10) and turn the impact/mode selector switch (11) until it clicks into the required position.

Note: Only change the operating mode when the power tool is switched off. Otherwise, the power tool may become damaged.



Setting the Rotational Direction

The rotational direction switch (7) is used to change the rotational direction of the power tool. However, this is not possible while the on/off switch (9) is being pressed.

- **Only operate the rotational direction switch (7) when the power tool is not in use.**

Always set the rotational direction to clockwise rotation for hammer drilling, drilling and chiselling.

- **Rotate clockwise:** Turn the rotational direction switch (7) on both sides until it stops in the position.
- **Rotate anticlockwise:** Turn the rotational direction switch (7) on both sides until it stops in the position.

Switching On/Off

- To **switch on** the power tool, press the on/off switch (9).
- To **lock** the on/off switch (9), press and hold it while also pushing the lock-on button (8).
- To **switch off** the power tool, release the on/off switch (9). If the on/off switch (9) is locked, press the switch first and then release it.

Adjusting the Speed/Impact Rate

You can adjust the speed/impact rate of the power tool when it is on by pressing in the on/off switch (9) to varying extents.

Applying light pressure to the on/off switch (9) results in a low rotational speed/impact rate. Applying increasing pressure to the switch increases the speed/impact rate.

Changing the chiselling position (Vario-Lock)

You can lock the chisel in 36 different positions, so you can select the optimum working position for each task.

- Insert the chisel into the tool holder.
- Turn the impact/mode selector switch (11) to the "Vario-Lock" position.
- Turn the application tool to the required chisel position.
- Turn the impact/mode selector switch (11) to the "chiselling" position. With this, the tool holder is locked.
- Set the rotational direction for chiselling to clockwise.

Practical Advice

Setting the drilling depth (see figure L)

You can use the depth stop (13) to set the required drilling depth X.

- Press the button for depth stop adjustment (12) and insert the depth stop into the auxiliary handle (14). The fluting on the depth stop (13) must face downwards.
- Insert the SDS-plus application tool into the SDS-plus tool holder (3) to the stop. Otherwise, the movability of the SDS-plus drilling tool can lead to incorrect adjustment of the drilling depth.
- Pull the depth stop far enough out that the distance between the drill bit tip and the edge of the depth stop corresponds to the required drilling depth X.

Overload clutch

- ▶ **If the application tool jams or snags, the power transmission to the drill spindle will be interrupted. Always hold the power tool firmly with both hands to withstand the forces this may create and adopt a position with stable footing.**
- ▶ **Switch the power tool off immediately and remove the application tool if the power tool becomes blocked. Switching on when the drilling tool is blocked may cause high torque reactions.**

Inserting screwdriver bits (see figure M)

- ▶ **Only apply the power tool to the screw/nut when the tool is switched off.** Rotating tool inserts can slip off.

A universal holder (26) with SDS-plus shank (accessory) is required to work with screwdriver bits.

- Clean and lightly grease the insertion end of the shank.
- Insert the universal holder into the tool holder while turning it until it locks automatically.
- Check that it is locked by pulling the universal holder.
- Insert a screwdriver bit in the universal holder. Only use screwdriver bits that fit the screw head.
- To remove the universal holder, slide the locking sleeve (5) backwards and remove the universal holder (26) from the tool holder.

Maintenance and Service**Maintenance and Cleaning**

- ▶ **Pull the plug out of the socket before carrying out any work on the power tool.**
- ▶ **To ensure safe and efficient operation, always keep the power tool and the ventilation slots clean.**

In order to avoid safety hazards, if the power supply cord needs to be replaced, this must be done by **Bosch** or by an after-sales service centre that is authorised to repair **Bosch** power tools.

- ▶ **Replace a damaged dust protection cap immediately. It is recommended that you have use an after-sales service for this.**
- Clean the tool holder (3) after each use.

After-Sales Service and Application Service

Our after-sales service responds to your questions concerning maintenance and repair of your product as well as spare parts. You can find explosion drawings and information on spare parts at: www.bosch-pt.com

The Bosch product use advice team will be happy to help you with any questions about our products and their accessories.

In all correspondence and spare parts orders, please always include the 10-digit article number given on the nameplate of the product.

Malaysia

Robert Bosch Sdn. Bhd.(220975-V) PT/SMY
No. 8A, Jalan 13/6
46200 Petaling Jaya
Selangor
Tel.: (03) 79663194
Toll-Free: 1800 880188
Fax: (03) 79583838
E-Mail: kiathoe.chong@my.bosch.com
www.bosch-pt.com.my

You can find further service addresses at:

www.bosch-pt.com/serviceaddresses

Disposal

The power tool, accessories and packaging should be recycled in an environmentally friendly manner.



Do not dispose of power tools along with household waste.

한국어**안전 수칙****전동공구 일반 안전 수칙**

⚠ 경고 본 전동공구와 함께 제공된 모 든 안전경고, 지시사항, 그림 및 사양을 숙지하십시오. 다음의 지시 사항을 준수하지 않으면 감전, 화재, 또는 심각한 부상을 초래할 수 있습니다.

앞으로 참고할 수 있도록 이 안전수칙과 사용 설명서를 잘 보관하십시오.

다음에서 사용되는 "전동공구"라는 개념은 전원에 연결하여 사용하는 (전선이 있는) 전동 기기나 배터리를 사용하는 (전선이 없는) 전동 기기를 의미합니다.

작업장 안전

- ▶ **작업장을 항상 깨끗이 하고 조명을 밝게 하십시오.** 작업장 환경이 어수선하거나 어두우면 사고를 초래할 수 있습니다.
- ▶ **가연성 유체, 가스 또는 분진이 있어 폭발 위험이 있는 환경에서 전동공구를 사용하지 마십시오.** 전동공구는 분진이나 증기에 점화하는 스파크를 일으킬 수 있습니다.
- ▶ **전동공구를 사용할 때 구경꾼이나 어린이 혹은 다른 사람이 작업장에 접근하지 못하게 하십시오.** 다른 사람이 주의를 산만하게 하면 기기에 대한 통제력을 잃기 쉽습니다.

전기에 관한 안전

- ▶ **전동공구의 전원 플러그가 전원 콘센트에 잘 맞아야 합니다.** 플러그를 절대 변경시켜서는 안 됩니다.

니다. (접지된) 전동공구를 사용할 때 어댑터 플러그를 사용하지 마십시오. 변형되지 않은 플러그와 잘 맞는 콘센트를 사용하면 감전의 위험을 줄일 수 있습니다.

- ▶ 파이프 관, 라디에이터, 레인지, 냉장고와 같은 접지 표면에 몸이 닿지 않도록 하십시오. 몸에 닿을 경우 감전될 위험이 높습니다.
- ▶ 전동공구를 비에 맞지 않게 하고 습기 있는 곳에 두지 마십시오. 전동공구에 물이 들어가면 감전될 위험이 높습니다.
- ▶ 전원 코드를 잘못 사용하는 일이 없도록 하십시오. 전원 코드를 잡고 전동공구를 운반해서는 안 되며, 콘센트에서 전원 플러그를 뽑을 때 전원 코드를 잡아 당겨서는 절대로 안 됩니다. 전원 코드가 열과 오일에 접촉하는 것을 피하고, 날카로운 모서리나 기기의 가동 부위에 닿지 않도록 주의 하십시오. 손상되거나 영긴 전원 코드는 감전을 유발할 수 있습니다.
- ▶ 실외에서 전동공구로 작업할 때는 실외용으로 적당히 연장 전원 코드만을 사용하십시오. 실외용 연장 전원 코드를 사용하면 감전의 위험을 줄일 수 있습니다.
- ▶ 전동공구를 습기 찬 곳에서 사용해야 할 경우에는 누전 차단기를 사용하십시오. 누전 차단기를 사용하면 감전 위험을 줄일 수 있습니다.

사용자 안전

- ▶ 신중하게 작업하며, 전동공구를 사용할 때 경솔하게 행동하지 마십시오. 피로한 상태이거나 약할 복용 및 음주한 후에는 전동공구를 사용하지 마십시오. 전동공구를 사용할 때 잠시라도 주의가 산만해지면 중상을 입을 수 있습니다.
- ▶ 작업자 안전을 위한 장치를 사용하십시오. 항상 보안경을 착용하십시오. 전동공구의 종류와 사용에 따라 먼지 보호 마스크, 미끄러지지 않는 안전화, 안전모 또는 귀마개 등의 안전한 복장을 하면 상해의 위험을 줄일 수 있습니다.
- ▶ 실수로 기기가 작동되지 않도록 주의하십시오. 전동공구를 전원에 연결하거나 배터리를 끼우기 전에, 혹은 기기를 들거나 운반하기 전에, 전원 스위치가 꺼져 있는지 다시 확인하십시오. 전동공구를 운반할 때 전원 스위치가 손가락을 대거나 전원 스위치가 켜진 상태에서 전원을 연결하면 사고 위험이 높습니다.
- ▶ 전동공구를 사용하기 전에 조절하는 툴이나 키 등을 빼 놓으십시오. 회전하는 부위에 있는 툴이나 키로 인해 상해를 입을 수 있습니다.
- ▶ 자신을 과신하지 마십시오. 불안정한 자세를 피하고 항상 평형을 이룬 상태로 작업하십시오. 안정된 자세와 평형한 상태로 작업해야만이 의외의 상황에서도 전동공구를 안전하게 사용할 수 있습니다.
- ▶ 알맞은 작업복을 입으십시오. 헐렁한 복장을 하거나 장신구를 착용하지 마십시오. 머리카락이 가동하는 기기 부위에 가까이 닿지 않도록 주의 하십시오. 헐렁한 복장, 장신구 혹은 긴 머리는 가동 부위에 말려 사고를 초래할 수 있습니다.

- ▶ 분진 추출장치나 수거장치의 조립이 가능한 경우, 이 장치가 연결되어 있는지, 제대로 작동이 되는지 확인하십시오. 이러한 분진 추출장치를 사용하면 분진으로 인한 사고 위험을 줄일 수 있습니다.
- ▶ 툴을 자주 사용한다고 해서 안주하는 일이 없게 하고 공구의 안전 수칙을 무시하지 않도록 하십시오. 부주의하게 취급하여 순간적으로 심각한 부상을 입을 수 있습니다.

전동공구의 올바른 사용과 취급

- ▶ 기기를 과부하 상태에서 사용하지 마십시오. 작업할 때 이에 적당한 전동공구를 사용하십시오. 알맞은 전동공구를 사용하면 지정된 성능 한도 내에서 더 효율적으로 안전하게 작업할 수 있습니다.
 - ▶ 전원 스위치가 고장 난 전동공구를 사용하지 마십시오. 전원 스위치가 작동되지 않는 전동공구는 위험하므로, 반드시 수리를 해야 합니다.
 - ▶ 전동공구를 조정하거나 액세서리 부품 교환 혹은 공구를 보관할 때, 항상 전원 콘센트에서 플러그를 미리 빼어 놓거나 배터리를 분리하십시오. 이러한 조치는 실수로 전동공구가 작동하게 되는 것을 예방합니다.
 - ▶ 사용하지 않는 전동공구는 어린이 손이 닿지 않는 곳에 보관하고, 전동공구 사용에 익숙하지 않거나 이 사용 설명서를 읽지 않은 사람은 기기를 사용해서는 안 됩니다. 경험이 없는 사람이 전동공구를 사용하면 위험합니다.
 - ▶ 전동공구 및 액세서리를 조심스럽게 관리하십시오. 가동 부위가 하자 없이 정상적인 기능을 하는지, 걸리는 부위가 있는지, 혹은 전동공구의 기능에 중요한 부품이 손상되지 않았는지 확인하십시오. 손상된 기기의 부품은 전동공구를 다시 사용하기 전에 반드시 수리를 맡기십시오. 제대로 관리하지 않은 전동공구의 경우 많은 사고를 유발합니다.
 - ▶ 절단 공구를 날카롭고 깨끗하게 관리하십시오. 날카로운 절단면이 있고 잘 관리된 절단공구는 걸리는 경우가 드물고 조절하기도 쉽습니다.
 - ▶ 전동공구, 액세서리, 장착하는 공구 등을 사용할 때, 이 지시 사항과 특별히 기종 별로 나와있는 사용 방법을 준수하십시오. 이때 작업 조건과 실시하려는 작업 내용을 고려하십시오. 원래 사용 분야가 아닌 다른 작업에 전동공구를 사용할 경우 위험한 상황을 초래할 수 있습니다.
 - ▶ 손잡이 및 잡는 면을 건조하게 유지하고, 오일 및 그리스가 묻어 있지 않도록 깨끗하게 하십시오. 손잡이 또는 잡는 면이 미끄러우면 예상치 못한 상황에서 안전한 취급 및 제어가 어려워집니다.
- #### 서비스
- ▶ 전동공구 수리는 반드시 전문 인력에게 맡기고, 수리 정비 시 보쉬 순정 부품만을 사용하십시오. 그렇게 함으로써 기기의 안전성을 오래 유지할 수 있습니다.

해머 관련 안전 수칙

모든 작업에 대한 안전 수칙

- ▶ 방을 보호구를 착용하십시오. 소음에 노출되면 청력을 상실할 수 있습니다.
- ▶ 공구에 보조 손잡이가 함께 공급된 경우, 보조 손잡이를 사용하십시오. 통제력을 상실하면 부상을 입을 수 있습니다.
- ▶ 절단용 액세서리 또는 파스너가 숨겨진 배선이나 코드에 접촉할 가능성이 있는 작업을 수행할 경우, 전동공구의 절연된 손잡이 면만 잡으십시오. 절단용 액세서리 및 파스너가 "전류가 흐르는" 전선에 접촉되면, 전동공구의 노출된 금속 부품에 "전류가 흐르는" 상태로 만들어 작업자가 감전될 수 있습니다.

해머드릴 기능 작동 시 긴 드릴 비트를 사용할 경우 안전 수칙

- ▶ 드릴링 시에는 항상 낮은 속도에서 작업을 시작하여 비트의 끝이 가공물에 닿도록 하십시오. 고속으로 작업할 경우, 비트가 구부러져 가공물에 닿지 않은 상태에서 회전하면서 부상을 입을 수 있습니다.
- ▶ 비트가 작동하는 부분에만 압력을 가하고 과도한 압력을 주지 마십시오. 비트가 구부러져 파손되거나 통제력을 잃어 부상을 입을 수 있습니다.

추가 안전 수칙

- ▶ 보이지 않는 부위에 에너지 배선 및 배관 여부를 확인하려면 적당한 탐지기를 사용하거나 담당 전력 공급회사에 문의하십시오. 전선에 접하게 되면 화재나 전기 충격을 야기할 수 있습니다. 가스관을 손상시키면 폭발 위험이 있습니다. 수도관을 파손하게 되면 재산 피해를 유발하거나 전기 충격을 야기할 수 있습니다.
- ▶ 전동공구를 내려놓기 전에 기기가 완전히 멈추었는지 확인하십시오. 삽입공구가 걸리거나 전동공구에 대한 통제가 어려워질 수 있습니다.
- ▶ 작업물을 잘 고정하십시오. 고정장치나 기계 바이스에 끼워서 작업하면 손으로 잡는 것보다 더 안전합니다.
- ▶ 작동 직후에는 비트 또는 인접한 하우징 부품을 만지지 마십시오. 작동 시 해당 부위가 매우 뜨거워져 화상을 유발할 수 있습니다.
- ▶ 타공 작업 시 비트가 걸려 갑자기 작동을 멈출 수 있습니다. 안전한 자세를 취하고 전동공구를 양손으로 꼭 잡으십시오. 그렇지 않을 경우 전동공구에 대한 통제력을 잃을 수도 있습니다.
- ▶ 치줄을 이용한 파괴 작업 시 주의를 기울이십시오. 철거 자재에서 떨어지는 파편으로 인해 주변에 있는 사람이나 작업자 스스로 부상을 입을 수 있습니다.

추가 안전 수칙

- ▶ 보이지 않는 부위에 에너지 배선 및 배관 여부를 확인하려면 적당한 탐지기를 사용하거나 담당 전력 공급회사에 문의하십시오. 전선에 접하게 되면 화재나 전기 충격을 야기할 수 있습니다. 가스관을 손상시키면 폭발 위험이 있습니다. 수도관

을 파손하게 되면 재산 피해를 유발하거나 전기 충격을 야기할 수 있습니다.

- ▶ 전동공구를 내려놓기 전에 기기가 완전히 멈추었는지 확인하십시오. 삽입공구가 걸리거나 전동공구에 대한 통제가 어려워질 수 있습니다.
- ▶ 작업물을 잘 고정하십시오. 고정장치나 기계 바이스에 끼워서 작업하면 손으로 잡는 것보다 더 안전합니다.
- ▶ 작동 직후에는 비트 또는 인접한 하우징 부품을 만지지 마십시오. 작동 시 해당 부위가 매우 뜨거워져 화상을 유발할 수 있습니다.
- ▶ 타공 작업 시 비트가 걸려 갑자기 작동을 멈출 수 있습니다. 안전한 자세를 취하고 전동공구를 양손으로 꼭 잡으십시오. 그렇지 않을 경우 전동공구에 대한 통제력을 잃을 수도 있습니다.
- ▶ 치줄을 이용한 파괴 작업 시 주의를 기울이십시오. 철거 자재에서 떨어지는 파편으로 인해 주변에 있는 사람이나 작업자 스스로 부상을 입을 수 있습니다.
- ▶ 전동 공구를 양손으로 꼭 잡고 안전한 자세로 작업하십시오. 전동공구를 양손으로 잡고 움직이면 더 안전합니다.

제품 및 성능 설명



모든 안전 수칙과 지침을 숙지하십시오. 다음의 안전 수칙과 지침을 준수하지 않으면 화재 위험이 있으며 감전 혹은 중상을 입을 수 있습니다.

사용 설명서 앞 부분에 제시된 그림을 확인하십시오.

규정에 따른 사용

GBH 2-26, GBH 2-26 DRE, GBH 2-26 DFR:

본 전동공구는 콘크리트, 벽돌 및 석재에 임팩트 드릴 작업을 하고 간단한 치줄 작업을 하는데 사용해야 합니다. 또한 목재, 금속, 세라믹 및 플라스틱에서의 타격 없는 드릴 작업에도 적합합니다. 전자 제어장치와 좌우 회전 기능이 있는 전동공구는 또한 스크류 작업을 하는데도 사용이 가능합니다.

GBH 2-26 RE:

본 전동공구는 콘크리트, 벽돌, 석재 등에 해머 드릴 작업을 하는데 사용해야 합니다. 또한 목재, 금속, 세라믹 및 플라스틱에서의 타격이 없는 단순 드릴 작업에도 적합합니다. 전자 제어장치와 좌우 회전 기능이 있는 전동공구는 또한 스크류작업을 하는데도 사용이 가능합니다.

제품의 주요 명칭

제품의 주요 명칭에 표기되어 있는 번호는 기기 그림이 나와있는 면을 참고하십시오.

- (1) 순간 교환 키레스 척 (GBH 2-26 DFR)
- (2) SDS plus 키레스 척 (GBH 2-26 DFR)
- (3) SDS plus 톨 홀더
- (4) 먼지보호 캡
- (5) 잠금 슬리브

16 | 한국어

- | | |
|---|---|
| <ul style="list-style-type: none"> (6) 키레스 척 잠금 링(GBH 2-26 DFR) (7) 회전방향 선택 스위치 (8) 전원 스위치 잠금 버튼 (9) 전원 스위치 (10) 모드 선택 스위치 해제 버튼
(GBH 2-26, GBH 2-26 DRE,
GBH 2-26 DFR) (11) 모드 선택 스위치
(GBH 2-26, GBH 2-26 DRE,
GBH 2-26 DFR) (12) 깊이 조절자 조절용 버튼 (13) 깊이 조절자 (14) 보조 손잡이(절연된 손잡이 부위) (15) "드릴링/해머 드릴링" 전환 스위치용 잠금
해제 버튼
(GBH 2-26 RE) | <ul style="list-style-type: none"> (16) "드릴링/해머 드릴링" 전환 스위치
(GBH 2-26 RE) (17) 손잡이(절연된 손잡이 부위) (18) 키 타입 척 안전 나사^{a)} (19) 키 타입 척^{a)} (20) 드릴 척용 SDS-plus 어댑터 축^{a)} (21) 드릴 척 서포트(GBH 2-26 DFR) (22) 키레스 척 앞쪽 슬리브(GBH 2-26 DFR) (23) 순간 교환 키레스 척 고정 링
(GBH 2-26 DFR) (24) 집진기 (GDE 16 Plus)^{a)} (25) 분진 캡^{a)} (26) SDS plus 어댑터 축이 있는 유니버설 홀더^{a)} |
|---|---|
- a) 도면이나 설명서에 나와있는 액세서리는 표준 공급부
품에 속하지 않습니다. 전체 액세서리는 저희 액세서리
프로그램을 참고하십시오.

제품 사양

해머 드릴		GBH 2-26	GBH 2-26 RE	GBH 2-26 DRE	GBH 2-26 DFR
제품 번호		3 611 BA3 0..	3 611 B51 7..	3 611 B53 7..	3 611 B54 7..
속도 제어		●	●	●	●
회전 정지		●	-	●	●
우회전/좌회전		●	●	●	●
키레스 척		-	-	-	●
소비 전력	W	800	800	800	800
타격률	min ⁻¹	0-4000	0-4000	0-4000	0-4000
EPTA-Procedure 05:2016에 따른 스트로 크당 충격 에너지	J	2.7	2.7	2.7	2.7
정격 속도	min ⁻¹	0-1300	0-1300	0-1300	0-1300
툴 홀더		SDS plus	SDS plus	SDS plus	SDS plus
스핀들 넥 직경	mm	50	50	50	50
최대 드릴 직경					
- 콘크리트	mm	26	26	26	26
- 벽돌 (코어 비트 사용 시)	mm	68	68	68	68
- 철재	mm	13	13	13	13
- 목재	mm	30	30	30	30
EPTA-Procedure 01:2014에 따른 중량	kg	2.7	2.7	2.7	2.9
보호 등급		□/	□/	□/	□/

자료는 정격 전압 [U] 230 V를 기준으로 한 것입니다. 전압이 다른 경우 및 국가별 사양에 따라 변동이 있을 수 있습니다.

조립

- ▶ 전동공구를 보수 정비하기 전에 반드시 콘센트에서 전원 플러그를 빼십시오.

보조 손잡이

- ▶ 반드시 보조 손잡이 (14) 를 장착하여 전동공구를 사용하십시오.

- ▶ 보조 손잡이가 항상 단단히 조여져 있는지 확인하십시오. 그렇지 않을 경우 작업하면서 전동공구에 대한 통제력을 잃을 수도 있습니다.

보조 손잡이 조절하기(그림 A 참조)

보조 손잡이 (14) 를 알맞게 젖혀서 안전하고 편안한 작업 자세를 취하십시오.

- 보조 손잡이 (14) 의 아래쪽을 시계 반대 방향으로 돌려 보조 손잡이 (14) 의 방향을 원하는 위치로 전환하십시오. 보조 손잡이 (14) 의 아래쪽을 시계 방향으로 다시 돌려 끼우십시오. 이때 보조 손잡이의 고정 밴드가 하우징에 있는 홈에 제대로 끼여 있는지 확인해야 합니다.

드릴 척과 비트 선택하기

해머 드릴 작업이나 치즐 작업을 하려면 기기의 SDS-plus 드릴 척에 삽입되는 SDS-plus 비트를 사용해야 합니다.

목재, 금속, 세라믹 그리고 플라스틱에 타격없이 드릴 작업을 하거나 스크류 작업을 하려면 SDS-plus 가 아닌 비트를 사용해야 합니다(예: 실린더 생크 타입 드릴 비트). 이러한 비트를 사용할 경우 순간 교환 키레스 척이나 키 타입 척이 필요합니다.

드릴 척 교환하기

키 타입 척 삽입/분리하기

GBH 2-26/GBH 2-26 RE/GBH 2-26 DRE

SDS-plus가 아닌 비트(예: 실린더 생크 타입 드릴 비트)로 작업하려면, 적당한 드릴 척을 조립해서 사용해야 합니다(키 타입 척이나 순간 교환 키레스 척, 액세서리).

키 타입 척 조립하기(그림 B 참조)

- SDS-plus 어댑터 축 (20) 을 키 타입 척 (19) 안으로 돌려 끼웁니다. 키 타입 척 (19) 에 안전 나사 (18) 를 끼워 고정시킵니다. **안전 나사가 좌나 사임에 유의하십시오.**

키 타입 척 장착하기(그림 B 참조)

- 어댑터 축의 끼워지는 부분을 깨끗이 닦고 약간 그리스를 바릅니다.
- 어댑터 축이 있는 키 타입 척이 자동으로 잠길 때까지 툴 홀더 안으로 돌리면서 끼웁니다.
- 키 타입 척을 당겨보아 제대로 잠겼는지 확인해 보십시오.

키 타입 척 탈착하기

- 잠금 슬리브 (5) 를 뒤쪽으로 밀고 키 타입 척 (19) 을 빼내십시오.

키레스 척 탈착하기/장착하기

GBH 2-26 DFR

키레스 척 탈착하기(그림 C 참조)

- 키레스 척 잠금 링 (6) 을 뒤로 당기고, 이 위치를 유지한 상태에서 SDS-plus 키레스 척 (2) 또는 교환 가능한 키레스 척 (1) 을 앞으로 당겨 빼냅니다.
- 키레스 척을 탈착한 후 더러워지지 않도록 하십시오.

키레스 척 장착하기(그림 D 참조)

- 키레스 척을 끼우기 전에 깨끗이 닦고 끼워지는 부분에 약간 그리스를 바릅니다.
- SDS-plus 키레스 척 (2) 또는 교환 가능한 키레스 척 (1) 을 양손으로 붙잡으십시오. 확실하게 잡기는 소리가 들릴 때까지 키레스 척을 돌리면서 드릴 척 서포트 (21) 쪽으로 미십시오.
- 키레스 척은 자동으로 잠깁니다. 키레스 척을 당겨보아 제대로 잠겼는지 확인해 보십시오.

툴 교환

먼지 보호 캡 (4) 은 작업하는 동안 먼지가 툴 홀더 안으로 들어가는 것을 방지해 줍니다. 비트 장착 시, 먼지 보호 캡 (4) 이 손상되지 않도록 주의하십시오.

- ▶ 손상된 먼지 보호 캡은 즉시 교환하십시오. 고객 서비스 센터에서 교환하는 것을 권장합니다.

툴 교환(SDS-plus)

SDS plus 비트 장착하기(그림 E 참조)

SDS-plus 드릴 척을 사용하면 별도의 공구를 사용하지 않고도 간단하고 쉽게 비트를 교환할 수 있습니다.

- **GBH 2-26 DFR:** SDS-plus 키레스 척 (2) 을 끼우십시오.
- 끼우려는 비트의 끝 부분을 깨끗이 닦고 그리스를 바릅니다.
- 비트가 자동으로 잠길 때까지 툴 홀더 안으로 돌려 끼우십시오.
- 비트를 잡아당겨 보면서 제대로 끼워졌는지 확인해 보십시오.

SDS-plus 비트는 시스템상 충분히 움직이게 되어 있습니다. 그래서 공전 상태에서 편심 현상이 생기지만 드릴작업 시에는 다시 저절로 중심을 잡습니다. 이는 작업의 정확성에 어떠한 영향도 미치지 않습니다.

SDS-plus 비트 탈착하기(그림 F 참조)

- 잠금 슬리브 (5) 를 뒤쪽으로 민 후, 비트를 분리합니다.

키 타입 척 툴 교환

GBH 2-26/GBH 2-26 RE/GBH 2-26 DRE

비트 장착하기(그림 G 참조)

지침: 해머 드릴 작업이나 치즐 작업을 할 때 SDS-plus가 아닌 비트를 사용하지 마십시오! SDS-plus가 아닌 비트와 그 드릴 척이 해머 드릴 작업과 치즐 작업으로 인해 손상됩니다.

- 키 타입 척 (19) 을 끼우십시오.
- 공구가 삽입될 때까지 키 타입 척 (19) 을 돌려 푸십시오. 공구를 끼우십시오.
- 드릴 척 키를 키 타입 척 (19) 의 해당 구멍에 끼우고 공구를 균일하게 조이십시오.
- **GBH 2-26 RE:** 전환 스위치 (16) 위치는 항상 "드릴링" 기호로 두십시오.
- **GBH 2-26, GBH 2-26 DRE:** 모드 선택 스위치 (11) 를 "드릴링" 위치로 돌려십시오.

비트 분리하기

- 드릴 척 키를 사용하여 키 타입 척 (19)의 슬리브를 비트가 빠질 때까지 시계 반대 방향으로 돌립니다.

순간 교환 키레스 척 톨 교환

GBH 2-26 DFR

비트 장착하기(그림 H 참조)

지침: 해머 드릴 작업이나 치출 작업을 할 때 SDS-plus가 아닌 비트를 사용하지 마십시오! SDS-plus가 아닌 비트와 그 드릴 척이 해머 드릴 작업과 치출 작업으로 인해 손상됩니다.

- 순간 교환 키레스 척 (1)을 삽입하십시오.
- 교환 가능한 키레스 척의 고정 링 (23)을 꼭 잡으십시오. 공구가 장착될 때까지 앞쪽 슬리브 (22)를 돌려 공구 어댑터를 푸십시오. 고정 링 (23)을 꼭 붙잡고 잠기는 소리가 확실하게 들릴 때까지 앞쪽 슬리브 (22)를 세계 화살표 방향으로 돌리십시오.
- 비트를 당겨보면서 제대로 끼워졌는지 확인해 보십시오.

지침: 톨 홀더가 스톱 위치까지 열렸으면, 톨 홀더를 돌려 잠글 때 끼워지는 소리가 들리며 톨 홀더는 잠기지 않을 수 있습니다.

이 경우 앞쪽 슬리브 (22)를 화살표 방향으로 돌리십시오. 그 이후 톨 홀더를 잠글 수 있습니다.

- 모드 선택 스위치 (11)를 “드릴 작업” 위치로 돌리십시오.

비트 분리하기(그림 I 참조)

- 교환 가능한 키레스 척의 고정 링 (23)을 꼭 잡으십시오. 공구가 분리 때까지 앞쪽 슬리브 (22)를 화살표 방향으로 돌려 공구 어댑터를 푸십시오.

분진 및 톨밥 추출장치

납 성분을 포함한 페인트나 몇몇 나무 종류, 또는 광물 성분 그리고 철과 같은 재료의 분진은 건강을 해칠 수 있습니다. 이 분진을 만지거나 호흡할 경우, 사용자나 주변 사람들이 알레르기 반응이나 호흡기 장애를 일으킬 수 있습니다.

떡갈나무나 너도밤나무와 같은 특정한 분진은 암을 유발시키며, 특히 목재 처리용으로 사용되는 부가 원료 (크로마트, 목재 보호제)와 혼합되면 암을 유발시키게 됩니다. 석면 성분을 포함한 재료는 전문 가만 작업할 수 있습니다.

- 가능하면 작업을 소재에 적당한 분진 추출장치를 사용하십시오.
- 작업장의 통풍이 잘 되도록 하십시오.
- 필터등급 P2가 장착된 호흡 마스크를 사용하십시오.

작업용 재료에 관해 국가가 지정한 규정을 고려하십시오.

- ▶ **작업장에 분진이 쌓이지 않도록 하십시오.** 분진이 쉽게 발화할 수 있습니다.

GDE 16 Plus(액세서리)를 이용한 집진 작업(그림 J 참조)

분진 추출을 위해 GDE 16 Plus(액세서리)가 필요합니다. 진공 청소기는 작업하는 소재에 적당한 것이어야 합니다. 특히 건강에 유해한 발암성 혹은 건조한 분진을 처리해야 할 경우에는 특수한 청소기를 사용해야 합니다.

먼지 수거 캡(액세서리)(그림 K 참조)

집진 작업 없이 간편하게 먼지를 수거하려면 먼지 수거 캡 (25)이 필요합니다.

GDE 18V-26 D(액세서리)를 이용한 집진 작업

분진 추출을 위해 집진 장치 GDE 18V-26 D(액세서리)가 필요합니다.

GDE 18V-26 D 사용 시 해당 사용 설명서에 제시된 용도에 맞는 사용 방법 관련 지침에 유의하십시오.

작동

기계 시동

- ▶ **전원의 전압에 유의하십시오! 공급되는 전원의 전압은 전동공구의 명판에 표기된 전압과 동일해야 합니다. 230 V로 표시된 전동공구는 220 V에서도 작동이 가능합니다.**

작동 모드 설정하기

GBH 2-26 RE:

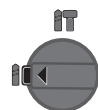
“드릴링/해머 드릴링” 전환 스위치 (16)를 이용하여 전동공구의 작동 모드를 선택하십시오.

- 작동 모드를 변경하려면 해제 버튼 (15)을 누른 상태에서 “드릴링/해머 드릴링” 전환 스위치 (16)가 맞물려 잠기는 소리가 날 때까지 원하는 위치로 돌립니다.

지침: 작동 모드는 전동공구가 꺼진 상태에서만 변경하십시오! 그렇게 하지 않으면 전동공구가 손상될 수 있습니다.



콘크리트 또는 석재에서의 **해머 드릴링** 작업 위치




목재, 금속, 세라믹, 플라스틱에서 타격이 없는 **드릴링** 및 스크류 작업 위치


GBH 2-26, GBH 2-26 DRE, GBH 2-26 DFR:


모드 선택 스위치 (11)를 이용하여 전동공구의 작동 모드를 선택하십시오.

- 작동 모드를 변경하려면 해제 버튼 (10)을 누른 상태에서 모드 선택 스위치 (11)가 맞물려 잠기는 소리가 날 때까지 원하는 위치로 돌립니다.

지침: 작동 모드는 전동공구가 꺼진 상태에서만 변경하십시오! 그렇게 하지 않으면 전동공구가 손상될 수 있습니다.

 콘크리트 또는 석재에서의 **해머 드릴링 작업** 위치

 목재, 금속, 세라믹, 플라스틱에서 타격이 없는 단순 **드릴 작업** 및 **스크류 작업** 위치

 치출 위치 조절을 위한 **Vario-Lock** 위치 모드 선택 스위치 (11) 는 이 위치에서 잠기지 않습니다.

 **치출 작업** 위치

회전방향 설정하기

회전방향 선택 스위치 (7) 를 이용해 전동공구의 회전방향을 변경할 수 있습니다. 전원 스위치 (9) 가 눌린 상태에서는 변경할 수 없습니다.

▶ **전동공구가 정지된 상태에서만 회전방향 선택 스위치 (7) 를 작동하십시오.**

해머 드릴 작업, 드릴 작업 혹은 치출작업을 하려면 회전방향이 반드시 우회전에 있어야 합니다.

- **우회전:** 회전방향 선택 스위치 (7) 를 양쪽에 있는 스토퍼까지 ◀ 위치로 미십시오.
- **좌회전:** 회전방향 선택 스위치 (7) 를 양쪽에 있는 스토퍼까지 ▶ 위치로 미십시오.

전원 스위치 작동

- 전동공구의 전원을 켜려면 전원 스위치를 (9) 누르십시오.
- 전원 스위치 (9) 를 누른 상태로 고정하려면 잠금 버튼 (8) 을 위로 누릅니다.
- 전동공구의 전원을 끄려면 전원 스위치 (9) 에서 손을 떼십시오. 전원 스위치 (9) 가 잠긴 상태에서는 먼저 전원 스위치를 눌렀다가 손을 떼십시오.

속도/타격률 조절하기

전원이 켜진 전동공구의 속도/타격률은 전원 스위치 (9) 를 움직이는 정도에 따라 자유롭게 조절할 수 있습니다.

전원 스위치 (9) 쪽으로 약간만 밀면 낮은 속도/타격률이 설정됩니다. 좀 더 세게 누르면 속도/타격률이 증가합니다.

치출 위치 바꾸기(Vario-Lock)

36 위치에서 치출을 고정시킬 수 있습니다. 이를 통해 각각 적의 작업 위치를 선정할 수 있습니다.

- 치출을 톨 홀더에 끼웁니다.
- 모드 선택 스위치 (11) 를 “Vario-Lock” 위치로 돌리십시오.
- 원하는 치출 위치로 비트를 돌리십시오.

- 타격/회전 모드 스위치 (11) 을 “치출 작업” 위치로 돌리십시오. 그러면 톨 홀더가 고정됩니다.
- 치출작업을 하려면 회전방향을 오른쪽으로 맞추십시오.

사용 방법

드릴 깊이 조절하기(그림 L 참조)

원하는 천공 깊이 X는 깊이 조절자 (13) 로 조절할 수 있습니다.

- 깊이 조절자 조절용 버튼 (12) 을 눌러 깊이 조절자를 보조 손잡이 (14) 에 끼우십시오. 깊이 조절자 (13) 에 있는 우둘투둘한 표면이 항상 아래쪽으로 향해 있어야 합니다.
- SDS-plus 비트를 SDS-plus 톨 홀더 (3) 안으로 끝까지 밀어 넣습니다. SDS-plus 비트가 움직이게 되면 천공 깊이를 정확하게 세팅할 수 없게 됩니다.
- 드릴 비트의 끝과 깊이 조절자의 끝 부위의 간격이 원하는 천공 깊이 X가 될 때까지 깊이 조절자를 잡아 당깁니다.

과부하 클러치

▶ **드릴 비트가 끼이거나 박힌 경우 드릴 스펀들의 작동이 중단됩니다. 이때 생기는 충격에 대비해서 전동공구를 두 손으로 꼭 잡고 안전한 자세로 작업해야 합니다.**

▶ **전동공구 자동이 차단되면, 전동공구의 스위치를 고고 비트를 푸십시오. 비트가 걸려 있는 상태에서 스위치를 켜면 강한 반동력이 생길 수 있습니다.**

스크류 드라이버 비트 장착하기(그림 M 참조)

▶ **전동공구의 스위치가 꺼진 상태에서만 볼트/너트에 대십시오.** 회전하는 드릴 비트가 미끄러질 수 있습니다.

스크류 드라이버 비트를 사용하려면 SDS-plus 어댑터 축이 있는 유니버설 홀더 (26) (액세서리)가 필요합니다.

- 어댑터 축의 끼워지는 부분을 깨끗이 닦고 약간 그리스를 바릅니다.
- 유니버설 홀더가 저절로 잠길 때까지 톨 홀더 안으로 돌리면서 끼웁니다.
- 유니버설 홀더를 당겨보아 제대로 잠겼는지 확인하십시오.
- 스크류 드라이버 비트 한 개를 유니버설 홀더에 끼웁니다. 스크류 헤드에 맞는 스크류 드라이버 비트만을 사용하십시오.
- 유니버설 홀더를 분리하려면 잠금 슬리브 (5) 를 뒤쪽으로 밀고 유니버설 홀더 (26) 를 톨 홀더에서 분리하십시오.

보수 정비 및 서비스

보수 정비 및 유지

▶ **전동공구를 보수 정비하기 전에 반드시 콘센트에서 전원 플러그를 빼십시오.**

- ▶ **안전하고 올바른 작동을 위하여 전동공구와 전동공구의 통풍구를 항상 깨끗이 하십시오.**

연결 코드를 교환해야 할 경우 안전을 기하기 위해 **Bosch** 또는 **Bosch** 지정 전동공구 서비스 센터에 맡겨야 합니다.

- ▶ **손상된 먼지 보호 캡은 즉시 교환하십시오. 고객 서비스 센터에서 교환하는 것을 권장합니다.**

- 톨 홀더 (3) 를 사용한 후에는 항상 깨끗이 닦아 주십시오.

AS 센터 및 사용 문의

AS 센터에서는 귀하 제품의 수리 및 보수정비, 그리고 부품에 관한 문의를 받고 있습니다. 대체 부품에 관한 분해 조립도 및 정보는 인터넷에서도 찾아볼 수 있습니다 - www.bosch-pt.com

보쉬 사용 문의 팀에서는 보쉬의 제품 및 해당 액세서리에 관한 질문에 기꺼이 답변 드릴 것입니다.

문의나 대체 부품 주문 시에는 반드시 제품 네임 플레이트에 있는 10자리의 부품번호를 알려 주십시오.

콜센터

080-955-0909

다른 AS 센터 주소는 아래 사이트에서 확인할 수 있습니다:

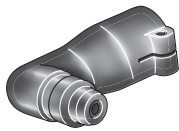
www.bosch-pt.com/serviceaddresses

처리

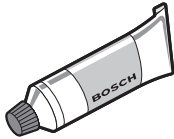
기기와 액세서리 및 포장 등은 환경 친화적인 방법으로 재생할 수 있도록 분류하십시오.



전동공구를 가정용 쓰레기로 처리하지 마십시오!

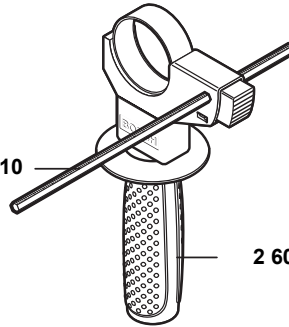


2 608 000 502



2 608 002 021

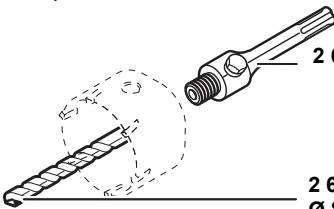
1 613 001 010



2 602 025 141

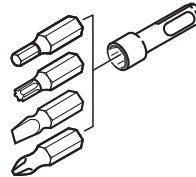


2 608 550 074 (Ø 40 mm)
2 608 550 075 (Ø 50 mm)
2 608 550 076 (Ø 68 mm)



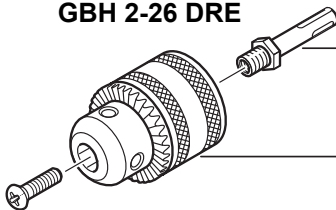
2 608 550 057

2 608 596 157
Ø 8 mm



2 607 000 207

GBH 2-26
GBH 2-26 RE
GBH 2-26 DRE

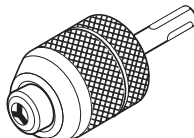


1 617 000 132
SDS-plus

1 608 571 062
Ø 1,5 - 13 mm



1 607 950 045

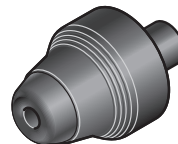


2 608 572 227
Ø 1,5 - 13 mm

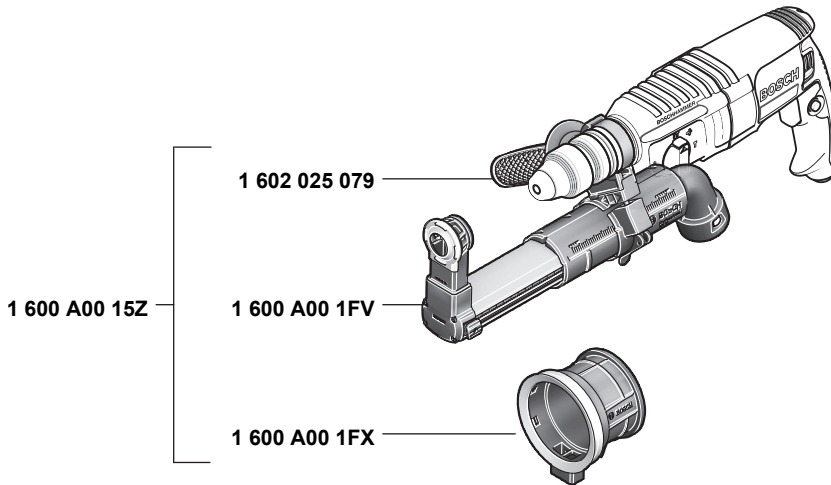
GBH 2-26 DFR



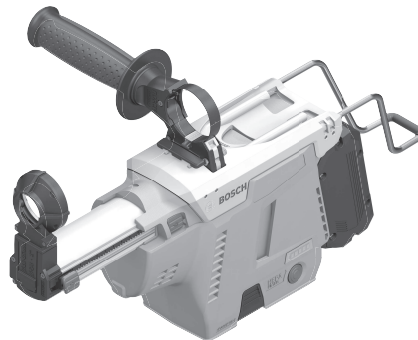
2 608 572 212
Ø 1,5 - 13 mm



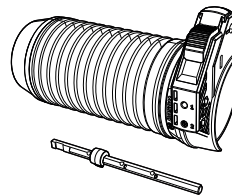
2 608 572 213
SDS-plus



WEU/SAO: 1 600 A01 TX0
SAJ/SAX: 1 600 A01 V64



1 600 A00 F85



1 600 A00 1G7

